

Technical data

Designation LIFTKIT-UR-601

Mechanical

Push load 1500 N
 Pull load 0 N
 Speed (with UR5) 80 mm/s
 Stroke 500 – 900 mm
 Retracted height Stroke/2 + 265 mm
 Cross section 163 mm x 163 mm
 IP 40
 Ambient temperature +10 to +40 °C
 Compatibility to UR UR3, UR5, UR10, e-Series
 Cable management Threads on pillar and interface plate to attach cable management

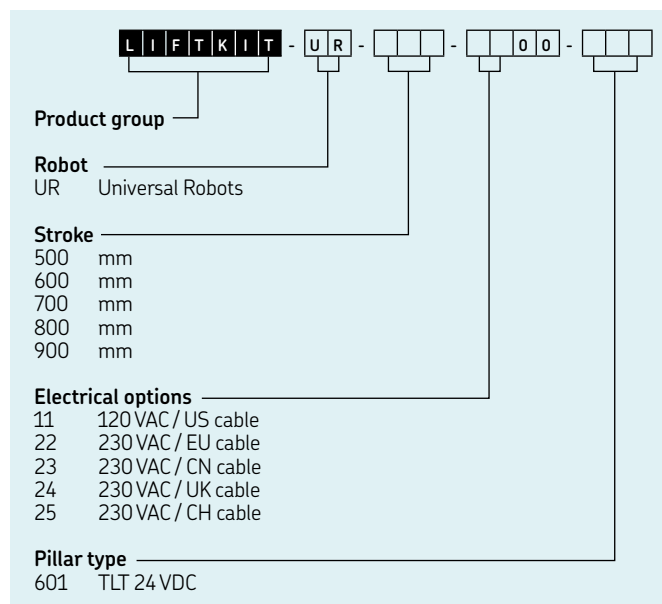
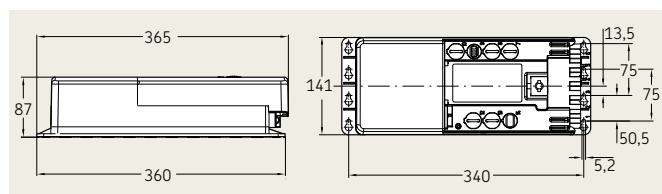
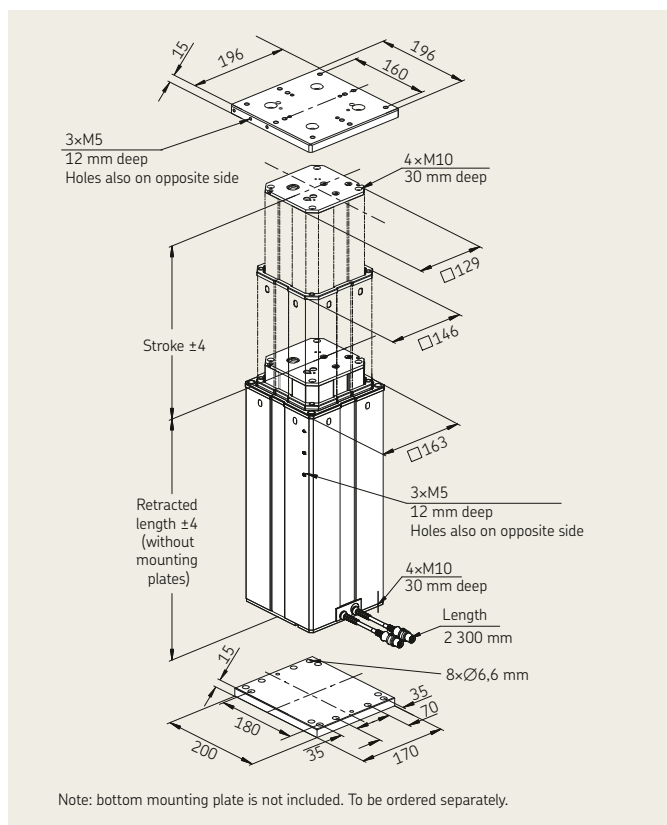
Electrical

Power input 120 VAC or 230 VAC
 Max. input power 3,3 A
 Emergency stop Connection to UR safety IO

Software functionality

Positioning, repeatability 1 mm
 Accessible positions 4 (low, high, 2 programmable)
 Feedback Position feedback via UR Caps implemented for smooth operation
 Soft start and stop

LIFTKIT contains



skf.com

© SKF is registered trademarks of the SKF Group.

© SKF Group 2018

The contents of this publication are the copyright of the publisher and may not be reproduced (even extracts) unless prior written permission is granted. Every care has been taken to ensure the accuracy of the information contained in this publication but no liability can be accepted for any loss or damage whether direct, indirect or consequential arising out of the use of the information contained herein.

PUB MT/P8 17996/1 EN · September 2018