

# SKF linear axis for collaborative robots SLIDEKIT

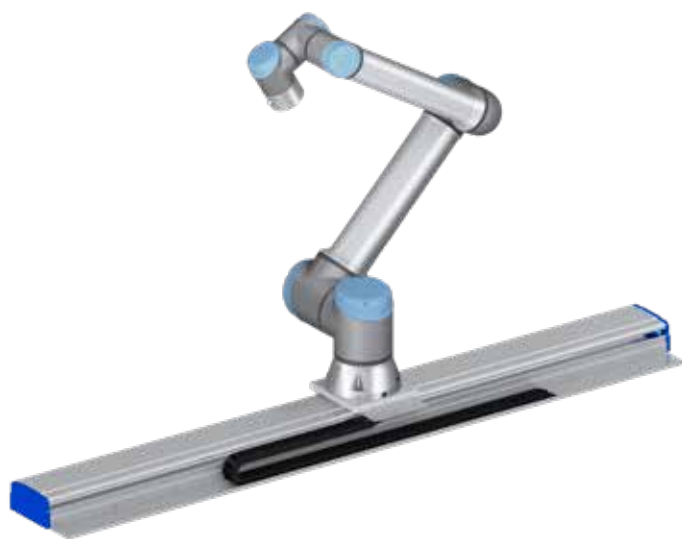
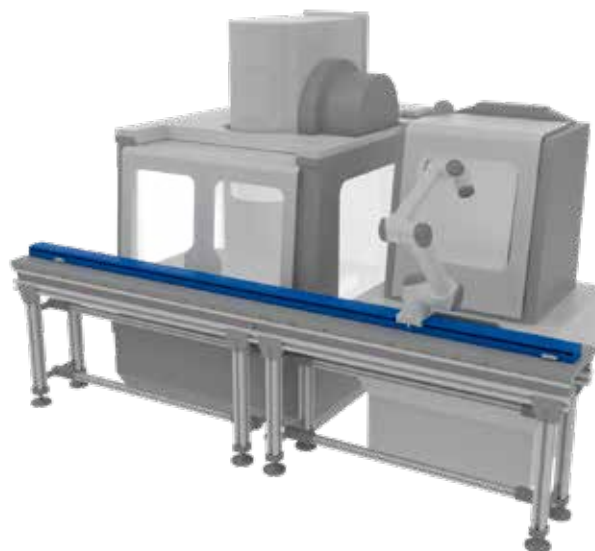
## Benefits for handling

Concerning handling applications, it's often required to cover long distances between machines, like machined parts loading and unloading on CNC centers.

This repetitive operation, usually done manually, it's time consuming and with low added value for the operators.

By using an Universal Robot applied on the SKF linear module, it's possible to easily automatize this handling process, increasing its productivity and reliability.

Linear Modules from SKF provide fast and precise movements to effectively position the robot along an horizontal axis, with long strokes up to 1,8 meters.



## Operating range extension

By adding a linear module as a dynamic base for the robot, it's possible to extend the handling operating area of the robot, increasing the productivity of a series of machine working in the same production flow.

## Plug-and-play solution

The SKF Slidekit provides a quick and fast installation, by having a standardized mechanical, electrical and software interface with Universal Robot units. In few steps, the system is ready to be used and simply programmed in operation.

## Cost savings and higher productivity

UR cobots combined with SKF linear module provide a cost-effective solution to upgrade an existing assembly shop, moving from a manual handled to a fully automatized line.

## Technical data

Designation	Symbol	Unit	SLIDEKIT-UR
-------------	--------	------	-------------

### Performance data

Max. dynamic load capacity	$C_{max}$	N	21 000
Max. static load capacity	$C_{0max}$	N	49 100
Max. dynamic moments Mx	$M_{xc_{max}}$	Nm	2 400
Max. dynamic moments Mz	$M_{zc_{max}}$	Nm	1 800
Max. input torque	$T_{max}$	Nm	10
Max. linear speed	$V_{max}$	mm/s	1 200
Max. rotational speed	$n_{max}$	1/min	3 600
Max. acceleration	$a_{max}$	m/s <sup>2</sup>	10
Duty cycle	$D_{unit}$	%	100
Screw lead	$P_{screw}$	mm	05 or 10 or 20
Lead accuracy	—	—	G7
Stroke	s	mm	100...1 800
Ambient temperature	$T_{ambient}$	°C	0 to +50
Max. humidity	$\phi$	%	95

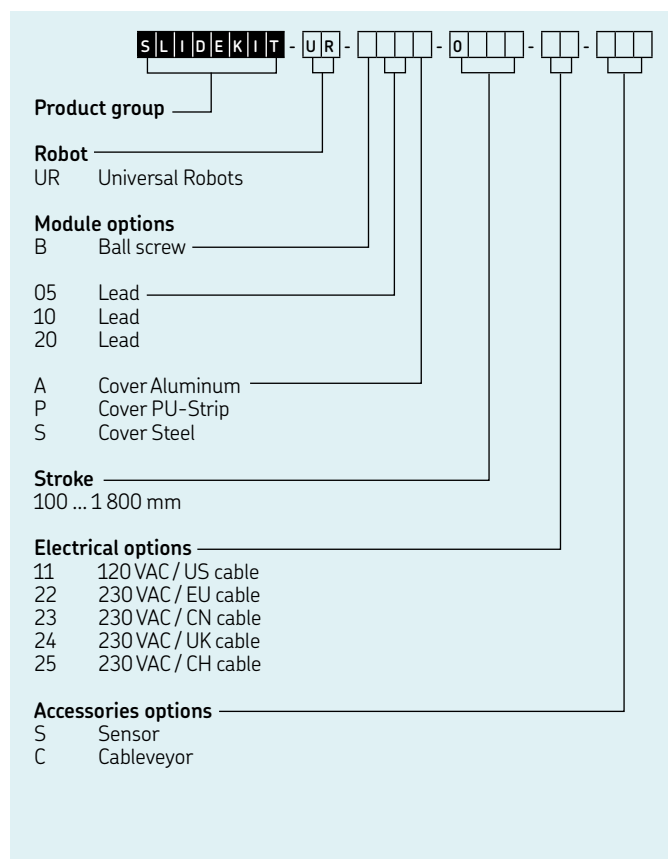
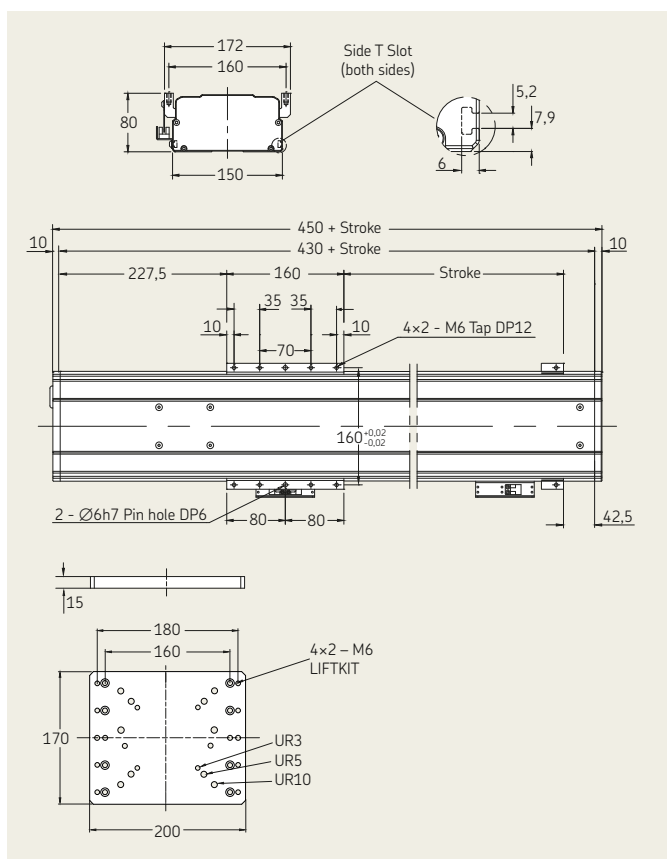
### Electrical data

Power input to controller	VAC		120 to 240V, 50/60 Hz, single phase
Rated output current	A		2,6
Max output current	A		11,0

### Software functionality

Programmable positions	—		4
Feedback position reached	—		yes
Soft start and stop	—		yes

## SLIDEKIT contains



skf.com

© SKF is registered trademarks of the SKF Group.

© SKF Group 2018

The contents of this publication are the copyright of the publisher and may not be reproduced (even extracts) unless prior written permission is granted. Every care has been taken to ensure the accuracy of the information contained in this publication but no liability can be accepted for any loss or damage whether direct, indirect or consequential arising out of the use of the information contained herein.

PUB MT/P8 17997/1 EN · September 2018