

# CRES CAMROL® Bearings



EMERSON POWER TRANSMISSION

## Stainless Steel Cam Followers



**McGILL**  
PRECISION BEARINGS

# CRES CAMROL® Bearings

## The Industry Leader...

In 1937, McGILL engineers invented the first needle bearing cam follower. Since that time McGILL has maintained its leadership position through development of innovative solutions to the problems faced by industry.

## The Problem Solver...CRES

CRES (Corrosion Resistant Engineered Solutions) CAMROL® cam followers from McGILL are designed to help solve corrosion problems. Processors of food, beverage or pharmaceutical products face the ever present challenge of providing wholesome products. Many processors have adopted HACCP (Hazard Analysis and Critical Control Points) plans to insure safe production. McGILL® CRES CAMROL® bearings join the EPT family of CRES solutions to help meet your needs.

### Problem:

*"Cleanliness is a priority in my plant. Our HACCP plans call for no rust on our equipment and we must have food grade grease in our bearings. We regularly wash down our equipment, but some bearings are not stainless steel and can rust quickly."*

*"I can't afford downtime due to bearing failure. Our high speed lines require reliability to meet tight shipping schedules. Any unplanned maintenance creates hassles, especially in our busy season."*

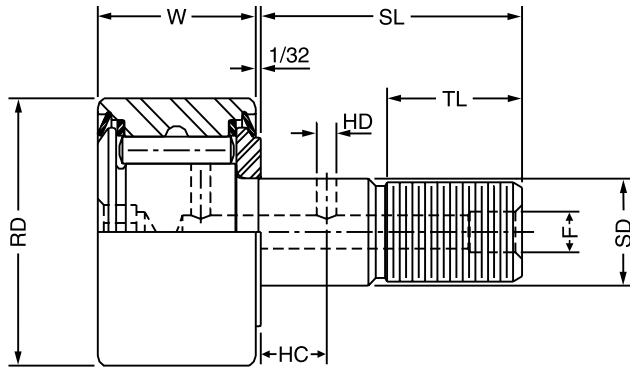
*"I don't have the resources to redesign this equipment with a different component that may not fit or doesn't have comparable ratings."*

### Solution: McGILL® CRES CAMROL® Bearings

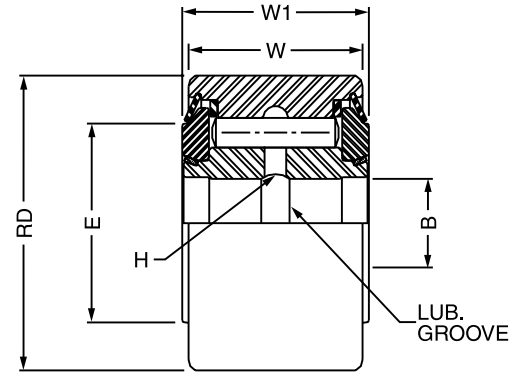
- Components manufactured from 440C stainless steel.
- H1 food grade lubricant.
- LUBRI-DISC® Seals help keep lubricant inside and contaminants out.
- LUBRI-DISC®+ Seals offer improved protection against liquid contamination on 1" and larger sizes.
- Zone hardening of stud provides a hardened raceway and a tough stem that give ductility and strength for absorbing the shocks of cam follower operation.
- Freedom to improve your operation with full dimensional interchange to standard cam followers and high load ratings.
- Nomenclature is unchanged except for "CR" designation (example: CF-1-SB becomes CF-1-SB CR).
- Popular size availability 1/2 to 2" (stud style); 3/4 to 2" (yoke style).

# CRES CAMROL® Bearings

## Stud Series



## Yoke Series



### STANDARD STUD SERIES - Dimensions in Inches

Bearing Number	Roller Diameter RD +.000 -.001	Roller Width W +.000 -.005	Stud Diameter SD +.001 -.000	Stud Length SL	Min. Thread Length TL	Fine Threads Class 2A	Oil Hole		Lube Fitting Size F	Hex Hole Size H	Min. Boss Dia.	Rec'd Hsg. Bore +.0002 -.0003	Rec'd Torque* In.-Lbs.	Basic Dynamic Rating Lbs.
							Hole Center HC	Hole Dia. HD						
CF-1/2-SB-CR	.500	.375	.190	5/8	1/4	10-32	-	-	-	1/8	19/64	.1903	15	610
CF-9/16-SB-CR	.5625	.375	.190	5/8	1/4	10-32	-	-	-	1/8	19/64	.1903	15	610
CF-5/8-SB-CR	.625	.4375	.250	3/4	5/16	1/4-28	-	-	-	1/8	23/64	.2503	35	860
CF-11/16-SB-CR	.6875	.4375	.250	3/4	5/16	1/4-28	-	-	-	1/8	23/64	.2503	35	860
CF-3/4-SB-CR	.750	.500	.375	7/8	3/8	3/8-24	1/4	3/32	3/16	3/16	1/2	.3753	95	1490
CF-7/8-SB-CR	.875	.500	.375	7/8	3/8	3/8-24	1/4	3/32	3/16	3/16	1/2	.3753	95	1490
CF-1-SB-CR	1.000	.625	.4375	1	1/2	7/16-20	1/4	3/32	3/16	1/4	41/64	.4378	250	2000
CF-1 1/8-SB-CR	1.125	.625	.4375	1	1/2	7/16-20	1/4	3/32	3/16	1/4	41/64	.4378	250	2000
CF-1 1/4-SB-CR	1.250	.750	.500	1 1/4	5/8	1/2-20	5/16	3/32	3/16	1/4	49/64	.5003	350	3530
CF-1 3/8-SB-CR	1.375	.750	.500	1 1/4	5/8	1/2-20	5/16	3/32	3/16	1/4	49/64	.5003	350	3530
CF-1 1/2-SB-CR	1.500	.875	.625	1 1/2	3/4	5/8-18	3/8	3/32	3/16	5/16	57/64	.6253	650	4350
CF-1 5/8-SB-CR	1.625	.875	.625	1 1/2	3/4	5/8-18	3/8	3/32	3/16	5/16	57/64	.6253	650	4350
CF-1 3/4-SB-CR	1.750	1.000	.750	1 3/4	7/8	3/4-16	7/16	3/32	3/16	5/16	1 3/64	.7503	1250	5730
CF-1 7/8-SB-CR	1.875	1.000	.750	1 3/4	7/8	3/4-16	7/16	3/32	3/16	5/16	1 3/64	.7503	1250	5730
CF-2-SB-CR	2.000	1.250	.875	2	1	7/8-14	1/2	1/8	3/16	7/16	1 13/64	.8753	1500	7270

\*Clamping Torque is based on dry threads. Use 1/2 of value if threads are lubricated.

### YOKE SERIES - Dimensions in Inches

Bearing Number	Roller Diameter RD +.000 -.001	Roller Width W +.000 -.005	Bore B +.0002 -.0004	Width Across Endplates WI +.0050 -.0100	Dia. of Endplates E	Oil Hole H	Min. Boss Dia.	Recommended Shaft Dia.			Basic Dynamic Rating Lbs.
								Push Fit +/- .0002	Drive Fit +/- .0002	Press Fit +/- .0002	
CYR-3/4-S-CR	.750	.500	.2500	.5625	39/64	3/32	1/2	.2495	.2501	.2503	1490
CYR-7/8-S-CR	.875	.500	.2500	.5625	39/64	3/32	1/2	.2495	.2501	.2503	1490
CYR-1-S-CR	1.000	.625	.3215	.6875	11/16	3/32	41/64	.3120	.3126	.3128	2000
CYR-1 1/8-S-CR	1.125	.625	.3215	.6875	11/16	3/32	41/64	.3120	.3126	.3128	2000
CYR-1 1/4-S-CR	1.250	.750	.3750	.8125	7/8	3/32	49/64	.3745	.3751	.3753	3530
CYR-1 3/8-S-CR	1.375	.750	.3750	.8125	7/8	3/32	49/64	.3745	.3751	.3753	3530
CYR-1 1/2-S-CR	1.500	.875	.4375	.9375	63/64	3/32	57/64	.4370	.4376	.4378	4350
CYR-1 5/8-S-CR	1.625	.875	.4375	.9375	63/64	3/32	57/64	.4370	.4376	.4378	4350
CYR-1 3/4-S-CR	1.750	1.000	.500	1.0625	1 7/64	3/32	1 3/64	.4995	.5001	.5005	5730
CYR-1 7/8-S-CR	1.875	1.000	.500	1.0625	1 7/64	3/32	1 3/64	.4995	.5001	.5005	5730
CYR-2-S-CR	2.000	1.250	.625	1.3125	1 19/64	3/32	1 13/64	.6245	.6251	.6255	7270

Dimensionally Interchangeable with  
Standard Cam Followers

# CRES CAMROL® Bearings

## CRES CAMROL Uses Industry

### Beverage



### Food



### Pharmaceuticals



## Products

Soft Drinks  
Beer  
Bottled Water  
Juices  
Fluid Dairy Products

Eggs  
Fruits  
Poultry  
Prepared Foods  
Seafood  
Vegetables

Capsules  
Pills  
Solutions

## Applications

Fillers  
Cappers  
Seamers  
Unscramblers  
Labelers

Case packers  
Cartoners  
Grinders  
Juicers  
Palletizers  
Sorters

Compactors  
Fillers  
Sealers

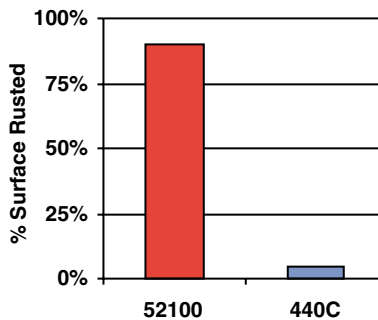
# CRES CAMROL® Bearings

## More Corrosion Resistance...



Standard Cam Followers Rust Quickly

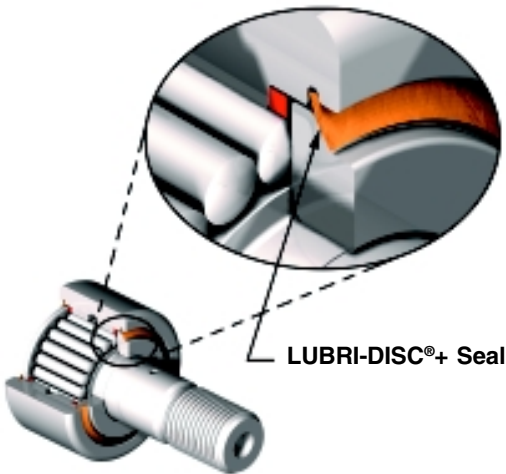
### Rust Comparison



Salt spray test data from "Getting the Jump on Bearing Corrosion", Design Engineering, May 1981.

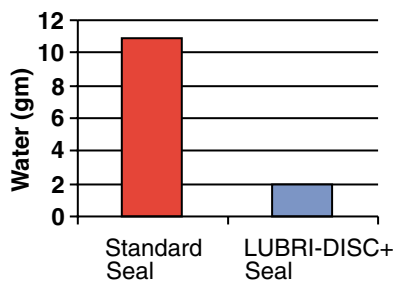
440C Construction helps withstand exposure to corrosive products and harsh sanitation chemicals.

## Improved Sealing...



LUBRI-DISC®+ Seal

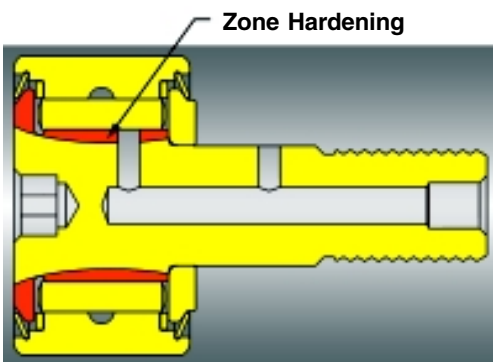
### Water Entry Comparison



1500 PSI water at 2.25 GPM sprayed at bearing face.

LUBRI-DISC®+ Seal provides up to 5 times more protection against washdown. McGILL originally developed this seal to meet the tough demands of aerospace applications

## Quality Heat Treatment...



Zone hardening the raceway provides for high load ratings. The tough stem allows for the shocks of cam follower operation. Heat treatment is carefully controlled and every batch is inspected before the McGILL name goes on the part.

[www.emerson-ept.com](http://www.emerson-ept.com)

For ordering information, contact your authorized McGILL Distributor or McGILL Customer Service: Telephone: 219-465-2200; FAX: 219-465-2290

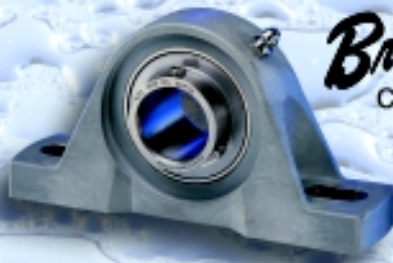
**Morse**  
Ultop Conveying Chain



**SEALMASTER**  
Corrosion Resistant  
Mounted Roller Bearings



**Morse**  
Washdown Speed Reducers



**Browning**  
CRES CS Bearings

**SEALMASTER**  
Bev Gold Bearings



**Browning**  
Stainless Steel Sprockets



**Morse**  
Corrosion Resistant Roller Chain

**APPLICATION CONSIDERATIONS**

The proper selection and application of power transmission products and components, including the related area of product safety, is the responsibility of the customer. Operating and performance requirements and potential associated issues will vary appreciably depending upon the use and application of such products and components. The scope of the technical and application information included in this publication is necessarily limited. Unusual operating environments and conditions, lubrication requirements, loading supports, and other factors can materially affect the application and operating results of the products and components and the customer should carefully review its requirements. Any technical advice or review furnished by Emerson Power Transmission Corp. and its divisions with respect to the use of products and components is given in good faith and without charge, and Emerson assumes no obligation or liability for the advice given, or results obtained, all such advice and review being given and accepted at customer's risk.

For a copy of our **Standard Terms and Conditions of Sale, Disclaimers of Warranty, Limitation of Liability and Remedy**, please contact McGILL customer service, 1-219-465-2200. These terms and conditions of sale, disclaimers and limitations apply to any person who may buy, acquire or use an Emerson Power Transmission Corp. product referred to herein, including any person who buys from a licensed distributor of these branded products.

McGILL, CAMROL, LUBRI-DISC are all registered trademarks of Emerson Power Transmission Manufacturing, L.P. and/or McGill Manufacturing Co., Inc.

© Emerson Power Transmission Manufacturing, L.P. 2001 All Rights Reserved.



02/01  
Form #8730a  
Printed in U.S.A.



EMERSON POWER TRANSMISSION  
909 N. LAFAYETTE STREET  
VALPARAISO, IN 46383-4293

**McGILL**  
PRECISION BEARINGS