

Spare parts

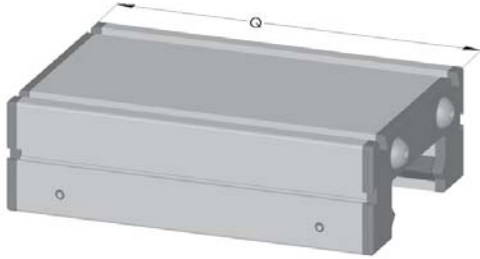


1.2

Spare parts

Carriage

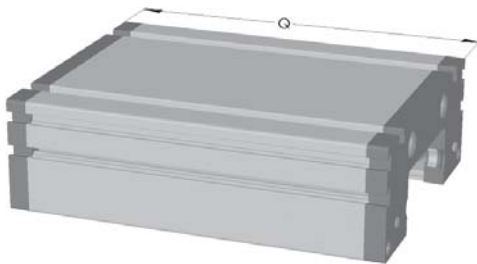
Complete carriage EG



Additional complete carriage with V-slides and end plates.

Code-No.	Type	Q _{Standard}	Q _{min.}	Q _{max.}
04532	EG 30	82	50	1000
04542	EG 40	118	80	1000
04562	EG 60	164	125	1000
04582	EG 80	193	150	1000

Complete carriage EL



Additional complete carriage with rollers, eccentrics and wiper end plates for free rolling.

Temperature: Up to 100° C.

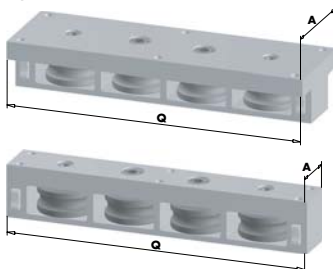
without Slider ²⁾	Code-No.	Type	Q _{Standard}	Q _{min.}	Q _{max.}
	04531	EL 30	82	50	3000
	04541	EL 40	122	80	3000
	04561	EL 60	168	125	3000
	04581	EL 80	194	150	3000
	04580	EL 80S	214	190	3000
	04511	EL 100	300	200	2000
	04521	EL 125	365	250	2000

with Slider ¹⁾	Code-No.	Type	Q _{Standard}	Q _{min.}	Q _{max.}
	045311	EL 30	82	50	3000
	045411	EL 40	122	80	3000
	045611	EL 60	168	125	3000
	045811	EL 80	194	150	3000
	045801	EL 80S	214	190	3000
	045111	EL 100	300	200	2000
	045211	EL 125	365	250	2000

1) ELT/K, ELVZ, ELHZ

2) ELZ, ELZT, ELZU, ELZA, ELZQ, ELP

Complete carriage UL

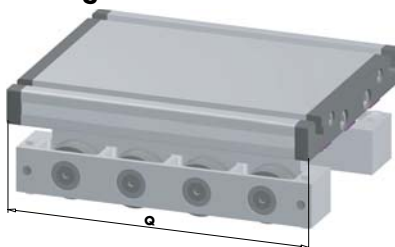


Carriage with rollers, eccentrics and end plates.

Temperature: Up to 100° C.

Code-No.	Type	A	Q
045471	UL 40	40	146
045472	UL 40	20	146
045671	UL 60	60	194
045672	UL 60	29	194
045871	UL 80	80	260
045872	UL 80	42	260

Complete carriage DL



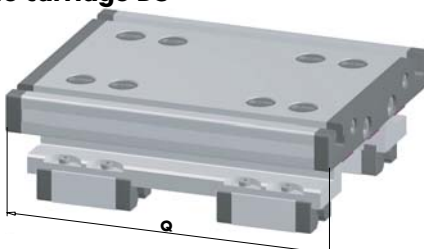
Standard carriage with 2x4 rollers, eccentrics and end plates.

Temperature: Up to 100° C.

Different Versions by inquiry.

Code-No.	Type	Q _{Standard}	Q _{max.}
04591	DL 120	156	3000
04590	DL 160	200	3000
04592	DL 200	270	3000

Complete carriage DS



Carriage with four runner blocks and end plates.

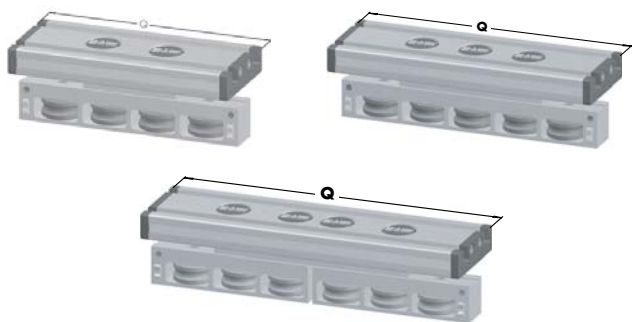
Temperature: Up to 100° C.

Code-No.	Type	Q _{Standard}	Q _{max.}
045710	DS 160	200	3000
045720	DS 200	270	3000

Spare parts

Carriage

Carriage QL



Carriage with rollers, eccentrics and end plates.
Temperature: Up to 100° C.

Code-No.	Type	Q _{Standard}	Number of rollers
04593A	QL 60	152	4
04593B	QL 60	192	5
04593C	QL 60	232	6
04594A	QL 80	196	4
04594B	QL 80	246	5
04594C	QL 80	296	6
04595A	QL 100	260	4
04595B	QL 100	320	5
04595C	QL 100	388	6

Carriage QS



Carriage with 2 runner blocks and end plates.
Temperature: Up to 100° C.

Code-No.	Type	Q _{Standard}	Number of Runnerblocks
04597A	QS 60	177	2
04597B	QS 60	177	3
04598A	QS 80	232	2
04598B	QS 80	232	3
04599A	QS 100	268	2
04599B	QS 100	268	3

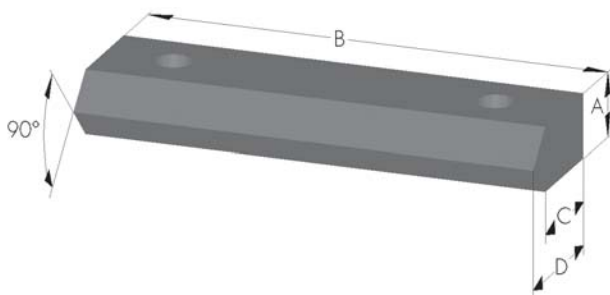
Carriage QST/K



Carriage with 2 runner blocks and end plates without leading nut.
Temperature: Up to 100° C.

Code-No.	Type	Q _{Standard}	Q _{max}
045974	QST/K 60	188	3000
045984	QST/K 80	250	3000
045997	QST/K 100	188	3000

V-slide EG



Made of low-wear plastic with good sliding characteristics.
2 pieces per carriage.

Code-No.	Type	A	B _{max}	C	D
04233	30	9,3	1.000	-	17,6
04243	40	8	1.000	9	13
04263	60	10	1.000	16	21
04283	80	14	1.000	22	29

Carriage ro



Standard roller.
Stainless steel upon request

Code-No.	Type	Name
04000	EL 30	LFR 687-2Z
04001	EL 40 / DL 120 / QL 60	LFR 608-2Z
04002	EL 60 / DL 160 / QL 80	LR 10/12
04039	DL 200 / QL 100	LFR 5302 KDD
04003	EL 80	LR 12
04038	EL 80S	LFR 5202-12 NPP
04004	EL 100	LFR 5204-16 NPP
04009	EL 125	LFR 5206-20 KDD



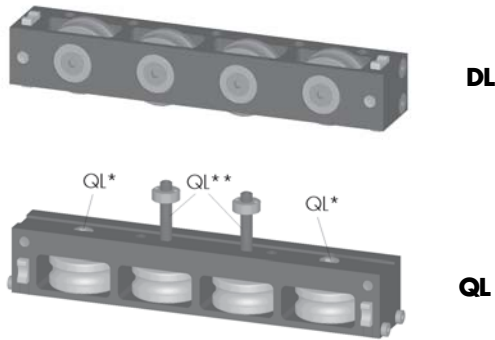
1.2

Spare parts

Carriage

Carriage roller block DL - QL

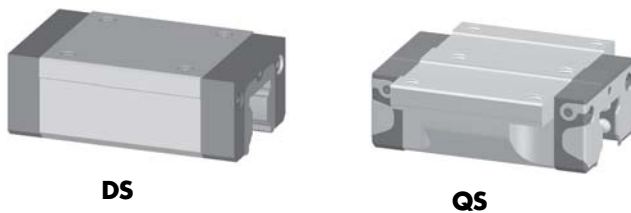
Made of aluminium, complete with rollers, eccentric and screws.



Code-No.	Type	Standard	By inquiry
04100	DL 120	4 rollers	3; 5; 2x3 rollers
04110	DL 160	4 rollers	3; 5; 2x3 rollers
04115	DL 200	4 rollers	3; 5; 2x3 rollers
04116	QL 60	4 rollers	5; 2x2; 2x3 rollers
04117	QL 80	4 rollers	5; 2x2; 2x3 rollers
04119	QL 100	4 rollers	5; 2x2; 2x3 rollers

* for outward fixed roller
** for inner movable roller

Runner block for DS - QS



Code-No.	Type
04150	QS 60
04152	QS 80
04154	QS 100
04157	DS 160
04158	DS 200

Eccentric EL

Size 40, 60



Size 30, 80, 80S, 100, 125



Eccentric made of stainless steel with mounting accessories (Screw, spring washer).

Code-No.	Type	For roller
04050	EL 30	LFR 687-2Z
04051	EL 40	LFR 608-2Z
04052	EL 60	LFR 5201 - KDD
04053	EL 80	LFR 5201-12 - KDD
04049	EL 80S	LFR 5202-12 - NPP
04054	EL 100	LFR 5204-16 - NPP
04055	EL 125	LFR 5206-20 - KDD

Eccentric DL - QL

Eccentric made of stainless steel with mounting set, screw and locking rings. The front side has an embossed marking to enable uniform adjustment of rollers.



Code-No.	Type	For roller
04057	DL 120	LFR 608-2Z
04058	DL 160	LFR 5201 - KDD
04059	DL 200	LR 5302 - KDD
06060	QL 60*	LFR 608-2Z
06061	QL 60**	LFR 608-2Z
06080	QL 80*	LFR 5201 - KDD
06081	QL 80**	LFR 5201 - KDD
06010	QL 100*	LR 5302 - KDD
06011	QL 100**	LR 5302 - KDD

* for outward fixed roller
** for inner movable roller
For arrangement of the different rollers see „carriage roller block“ above.

Spare parts

Carriage

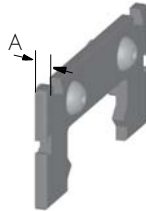
Tool for eccentric adjustment



Fix tool			Adjust tool	
Type	Code-No.	Dimension	Code-No.	Dimension
EL 30	09020	SW 2	09030	LK 9,5 ø 1,5
EL 40	09021	SW 4	09022	SW 5
EL 60	09022	SW 5	09023	SW 6
EL 80	09022	SW 5	09031	LK 15 ø 2
EL 80S	09023	SW 6	09036	LK 20 ø 2
EL 100	09023	SW 6	09032	LK 24 ø 4
EL 125	09024	SW 8	09033	LK 32 ø 5

Fix tool			Adjust tool	
Type	Code-No.	Dimension	Code-No.	Dimension
DL 120	09025	SW 3	09034	LK 10,5 ø 1
DL 160	09021	SW 4	09031	LK 15 ø 2
DL 200	09023	SW 6	09036	LK 20 ø 2
QL 60	09038	LK 8 ø 2	09026	SW 2,5
	09021	SW 4	09022	SW 5
QL 80	09037	LK 10 ø 2	09025	SW 3
	09022	SW 5	09023	SW 6
QL 100	09035	LK 13 ø 3	09021	SW 4
	09023	SW 6	09036	LK 20 ø 2

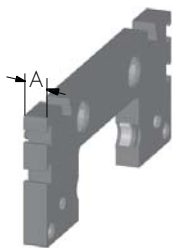
End plates EG



Material ABS, for temperatures up to 100°C

Code-No.	Type	A
04241	EG 40	5
04261	EG 60	6
04281	EG 80	6

Wiper end plate complete for EL



Material ABS, for temperatures up to 100°C

without slider ²⁾		
Code-No.	Type	A
04230	EL 30	6
04240	EL 40	11
04260	EL 60	12
04280	EL 80	12
04288	EL 80S	12
04210	EL100	15
04220	EL125	15

with slider ¹⁾		
Code-No.	Type	A
04234	EL 30	6
04244	EL 40	11
04264	EL 60	12
04284	EL 80	12
04289	EL 80S	12
04214	EL100	15
04224	EL125	15

- 1) ELT/K, ELVZ, ELHZ
2) ELZ, ELZT, ELZU, ELZA, ELZQ, ELP

Slider inset for ELT / ELK Slider inset for DLT / DLK



By cover band replacement it is necessary to change the slide.

ELT / ELK	
Code-No.	Type
03132	EL 30
03142	EL 40
03162	EL 60

DLT / DLK	
Code-No.	Type
03164	120
03184	160
03114	200

Wiper end plate DL / DS - QL / QS



DL / DS



QL / QS

Code-No.	Type	D	Material
04211	DL 120	8	ABS
04212	DL/DS 160	10	ABS
04213	DL 200	15	ABS
04267	QL/QS 60	6	ABS
04287	QL/QS 80	8	ABS
04217	QL/QS 100	10	ABS

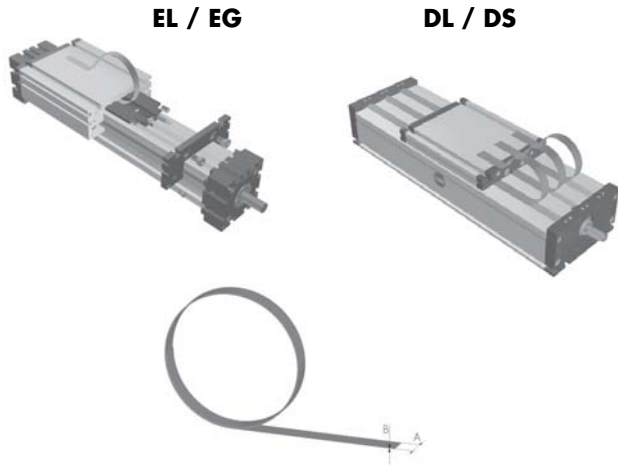


1.2

Spare parts

guide body profile

Cover band



Spring steel (stainless steel)

Code-No.	Type	A x B
01020....	EL/EG 30	8 x 0,15
01021....	EL/EG 40/60/80 DL 120	13,5 x 0,3
01026....	DL/DS 160	17,3 x 0,3
01022....	EL 100/125 DL/DS 200	22 x 0,3
01023	QST/K 60	24 x 0,3
01024	QST/K 80	32,3 x 0,3
01025	QST/K 100	38,5 x 0,3

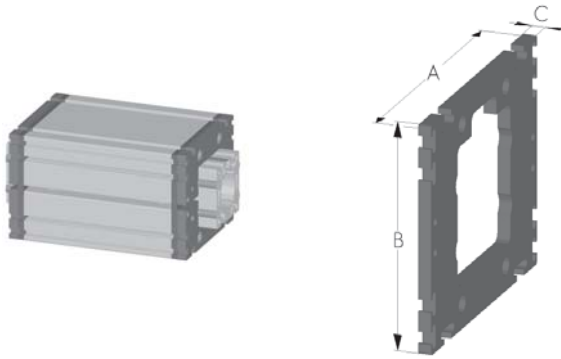
Code-No. length in mm

01026	2300
-------	------

Sample ordering code:

Cover band 17,3 x 0,3 2.300 mm long.

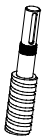
Joining plate for closed carriage



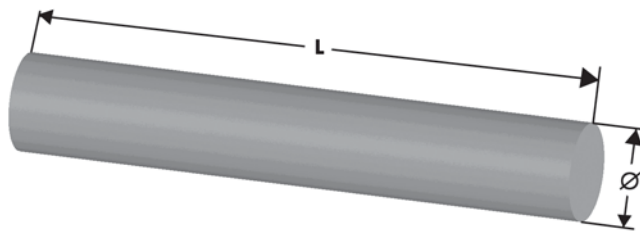
Aluminium plate with connection boring.

Code-No.	Type	A	B	C
03045	EG 40	70	70	8
03065	EG 60	100	98	8
03085	EG 80	140	140	8
03036	EL 30	70	52	6
03046	EL 40	100	70	8
03066	EL 60	144	98	8
03086	EL 80	170	140	8
03087	EL 80S	190	142	10
03016	EL 100	230	180	8
03026	EL 125	295	215	12

Guide rod



1.2



Code-No.	Type	Ø	Material	Hardness
04131....	EL/EG 30	5 _{h6}	Cf 53	HRC 62
04132....	EL/EG 30	5 _{h6}	x 90 CrMoV18	HRC 56
04141....	EL 40 DL 120 QL 60	6 _{h6}	Cf 53	HRC 62
04142....	EL 40 DL 120 QL 60	6 _{h6}	x 90 CrMoV18	HRC 56
04161....	EL 60 DL 160/200 QL 80/100	10 _{h6}	Cf 53	HRC 62
04162....	EL 60 DL 160/200 QL 80/100	10 _{h6}	x 90 CrMoV18	HRC 56
04181....	EL 80(S)	12 _{h6}	Cf 53	HRC 62
04182....	EL 80(S)	12 _{h6}	x 90 CrMoV18	HRC 56
04111....	EL 100	16 _{h6}	Cf 53	HRC 62
04112....	EL 100	16 _{h6}	x 90 CrMoV18	HRC 56
04113....	EL 125	20 _{h6}	Cf 53	HRC 62
04114....	EL 125	20 _{h6}	x 90 CrMoV18	HRC 56

Code-No. length in mm

04131	2000
-------	------

Sample ordering code:

Guiding rod steel ø 5 2.000 mm long.

Spare parts

Spindle

Trapezoidal spindle



Code-No.	Type	Pitch	Unit length L _{max}
04609....	EL/EG 30	10x03 R	1.500 mm
04629....	EL/EG 30	10x03 L	1.500 mm
04600....	EL/EG 40	18x04 R	3.000 mm
04620....	EL/EG 40	18x04 L	3.000 mm
04640....	DL 120 / QS 60	18x04 R	3.000 mm
04650....	DL 120 / QS 60	18x04 L	3.000 mm
04601....	EL/EG 40	18x08 R	3.000 mm
04621....	EL/EG 40	18x08 L	3.000 mm
04641....	DL 120 / QS 60	18x08 R	3.000 mm
04651....	DL 120 / QS 60	18x08 L	3.000 mm
04602....	EL/EG 60	24x05 R	4.000 mm
04622....	EL/EG 60	24x05 L	3.000 mm
04642....	DL/DS 160 QS 80	24x05 R	4.000 mm
04652....	DL/DS 160 QS 80	24x05 L	3.000 mm
04603....	EL/EG 60	24x10 R	3.000 mm

Code-No.	Type	Pitch	Unit length L _{max}
04623....	EL/EG 60	24x10 L	3.000 mm
04643....	DL/DS 160 / QS 80	24x10 R	3.000 mm
04643....	DL/DS 160 / QS 80	24x10 L	3.000 mm
04604....	EL/EG 80(S)	28x05 R	3.000 mm
04624....	EL/EG 80(S)	28x05 L	3.000 mm
04605....	EL/EG 80(S)	28x10 R	3.000 mm
04625....	EL/EG 80(S)	28x10 L	3.000 mm
04606....	EL / QS 100 DL/DS 200	32x06 R	4.500 mm
04626....	EL / QS 100 DL/DS 200	32x06 L	3.000 mm
04607....	EL / QS 100 DL/DS 200	32x12 R	3.000 mm
04627....	EL / QS 100 DL/DS 200	32x12 L	3.000 mm
04630....	EL 125	40x07 R	4.000 mm
04631....	EL 125	40x07 L	3.000 mm
04632....	EL 125	40x14 R	3.000 mm
04633....	EL 125	40x14 L	3.000 mm

Code-No. unit length in mm

04603	1000
-------	------

Sample ordering code:

Trapezoidal spindle Tr 24x10 right, unit length 1000 mm.

Trapezoidal screw made of RG 7



Code-No.	Type	Pitch
04332	EL/EG 30	10x03 R
04333	EL/EG 30	10x03 L
04340	EL/EG 40 / DL 120 / QS 60	18x04 R
04341	EL/EG 40 / DL 120 / QS 60	18x04 L
04342	EL/EG 40 / DL 120 / QS 60	18x08 R
04343	EL/EG 40 / DL 120 / QS 60	18x08 L
04360	EL/EG 60 / DL/DS 160 QS 80	24x05 R
04361	EL/EG 60 / DL/DS 160 QS 80	24x05 L
04362	EL/EG 60 / DL/DS 160 QS 80	24x10 R
04363	EL/EG 60 / DL/DS 160 QS 80	24x10 L
04380	EL/EG 80(S)	28x05 R

Code-No.	Type	Pitch
04381	EL/EG 80(S)	28x05 L
04382	EL/EG 80(S)	28x10 R
04383	EL/EG 80(S)	28x10 L
04310	EL / QS 100 / DL/DS 200	32x06 R
04311	EL / QS 100 / DL/DS 200	32x06 L
04312	EL / QS 100 / DL/DS 200	32x12 R
04313	EL / QS 100 / DL/DS 200	32x12 L
04320	EL 125	40x07 R
04321	EL 125	40x07 L
04322	EL 125	40x14 R
04323	EL 125	40x14 L

1.2

Spare parts

Spindle

Ballscrew spindle



Code-No.	Type	Pitch	Unit length L _{max}
04610....	EL/EG 30	8x2,5 R	2.000 mm
04611....	EL/EG 40	16x05 R	3.000 mm
04661....	DL 120 / QS 60	16x05 R	3.000 mm
04612....	EL/EG 40	16x10 R	3.000 mm
04662....	DL 120 / QS 60	16x10 R	3.000 mm
04614....	EL/EG 60	25x05 R	3.000 mm
04615....	EL/EG 60	25x10 R	3.000 mm
04613....	EL/EG 60	20x20 R	3.000 mm
04663....	DL 120 / QS 80 DL/DS 160	20x20 R	3.000 mm
04631....	EL/EG 60	20x05 L	3.000 mm

Code-No.	Type	Pitch	Unit length L _{max}
04664....	DL 120 DL/DS 160 QS 80	25x05R	3.000 mm
04665....	DL 120 DL/DS 160 QS 80	25x10 R	3.000 mm
04616....	EL/EG 80(S)	25x25 R	3.000 mm
04666....	DL 120 DL/DS 160	25x25 R	3.000 mm
04617....	EL/EG 80(S) EL/QS 100 DL/DS 200	32x05 R	3.000 mm
04684....	EL/EG 80(S) EL/QS 100 DL/DS 200	32x05 L	3.000 mm
04618....	EL/EG 80(S) EL/QS 100 DL/DS 200	32x10 R	3.000 mm
04683....	EL 100 DL/DS 200	32x20 R	3.000 mm
04619....	EL 100 DL/DS 200	32x32 R	3.000 mm
04634....	EL 125	40x10 R	3.000 mm
04635....	EL 125	40x20 R	3.000 mm
04636....	EL 125	40x40 R	3.000 mm

Code-Nr. unit length in mm

04617	1000
--------------	------

Sample ordering code:
Ballscrew spindle 32x05 right, unit length 1.000 mm.

Ballscrew nut



Code-No.	Type	Pitch	first greasing	re-greasing*
04430	EL/EG 30	8x2,5 R	0,02 g	0,01 g
04440	EL/EG 40 DL 120 QS 60	16x05 R	4,0 g	1,3 g
04441	EL/EG 40 DL 120 QS 60	16x10 R	2,5 g	0,8 g
04442	DL 120 QS 60	16x16 R	2,0 g	0,6 g
04460	EL/EG 60 DL 120 DL/DS 160 QS 80	25x05 R	6,0 g	2,0 g
04461	EL/EG 60 DL 120 DL/DS 160 QS 80	25x10 R	8,0 g	2,6 g
04462	EL/EG 60 DL 120 DL/DS 160 QS 80	20x20 R	8,0 g	2,6 g

Code-No.	Type	Pitch	first greasing	re-greasing*
04463	EL/EG 60	20x05 L	5,0 g	2,0 g
04464	EL/EG 80(S) DL/DS 160	25x25 R	10,0 g	3,0 g
04480	EL/EG 80(S) EL/QS 100 DL/DS 200	32x05 R	8,0 g	3,0 g
04485	EL/EG 80(S) EL/QS 100 DL/DS 200	32x05 L	8,0 g	3,0 g
04481	EL/EG 80(S) EL/QS 100 DL/DS 200	32x10 R	11,0 g	4,0 g
04483	EL 100 DL/DS 200	32x20 R	11,8 g	4,0 g
04482	EL 100 DL/DS 200	32x32 R	12,6 g	4,0 g
04420	EL 125	40x10 R	25,0 g	8,3 g
04421	EL 125	40x20 R	29,0 g	9,6 g
04422	EL 125	40x40 R	34,0 g	011,3 g

* after approx. 500 hours

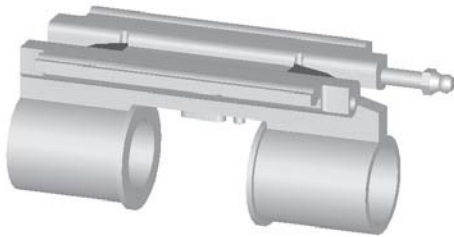


1.2

Spare parts

Spindle

Leading nut receiver



For EL / EG units

Ballscrew

Code-No.	Type
03130	30
03140	40
03160	60
03180	80(S)
03110	100
03120	125

Trapezoidal

Code-No.	Type
03131	30
03141	40
03161	60
03181	80(S)
03111	100
03121	125

For DL / DS units

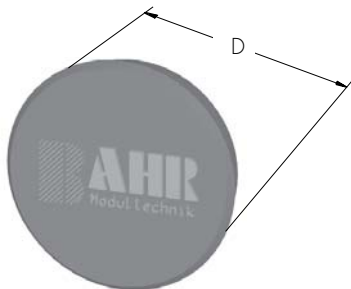
Code-No.	Type
03163	DL 120
03183	DL/DS 160
03113	DL 200

Lubricants



Code-No.	Name
09001	Molyduval, 1 litre
09002	SKF grease LGMT 2, spindle/bearing, 1 kg
09003	Steel oil gun for carriage rollers
09004	Steel grease gun for ballscrew
09009	regreasing adapter

Cover caps



Code-No.	Type	D	Position
04206	QL/QS 60, DL 120	15	Servicing boring
04205	ELK 30	19	Bearing-block
	QL/QS 80		Servicing boring
	QL 60		Carriage
04235	ELZ 30	28	Bearing-block
	ELT/K 40		Bearing-block
	EGT/K 40		Bearing-block
	DL/DS 160		Servicing boring
	QL 80 - 100		Carriage
04245	ELZ 40, ELHZ 60, ELVZ 60	37	Bearing-block
			Carriage
04265	ELZ 60, ELHZ 80, ELVZ 80, DLZ 120, QLZ/QSZ 60	47	Bearing-block
04285	ELZ 80, ELHZ 100, ELVZ 100, DLZ/DSZ 160, QLZ/QSZ 80	68	Bearing-block
04215	ELZ 100, DLZ/DSZ 200, QLZ/QSZ 100	90	Bearing-block
04225	ELZ 125	110	Bearing-block



1.2

Spare parts

Toothed belt,

Toothed belt

The maximum length of one belt is 60 m. You can use the maximum power range of belt only from -10 C° to +60 C°. For every increase of temperature of +10 C° you have to reduce capability of belt by 20%. For applications with more than 80 C° the humidity not be higher than 50%.



Code-No. length in mm

00534	5000
--------------	------

Sample ordering code:

Belt HTD LL-5M 25 steel, 5 m long

PU-belt with steel reinforcement				
Code No.	Type	Standard belt	Code No.	Widened belt
00531	ELZ 30	HTD LL-3M12		
00532	ELZ 40	HTD LL-5M15		
00534	ELZ 60	HTD LL-5M25		
00536	ELZ 80(S)	HTD LL-8M30		
00538	ELZ 100	HTD LL-8M50		
00540	ELZ 125	HTD LL-8M70		
00531	ELZG 30	HTD LL-3M12		
00532	ELZG 40	HTD LL-5M15		
00534	ELZG 60	HTD LL-5M25		
00536	ELZG 80(S)	HTD LL-8M30		
00542	ELZZ 60	HTD LL-5M09		
00543	ELZZ 80	HTD LL-8M12		
00544	ELZZ 100	HTD LL-8M20		
00536	ELZZ 125	HTD LL-8M30		
00531	ELSZ 30	HTD LL-3M12	00532	HTD LL-5M15
00532	ELSZ 40	HTD LL-5M15	00534	HTD LL-5M25
00534	ELSZ 60	HTD LL-5M25	00536	HTD LL-8M30
00536	ELSZ 80(S)	HTD LL-8M30	00538	HTD LL-8M50
00538	ELSZ 100	HTD LL-8M50	00540	HTD LL-8M70
00540	ELSZ 125	HTD LL-8M70		
00532	ELSD 40	HTD LL-5M15	00534	HTD LL-5M25
00534	ELSD 60	HTD LL-5M25	00536	HTD LL-8M30
00536	ELSD 80(S)	HTD LL-8M30	00538	HTD LL-8M50
00538	ELSD 100	HTD LL-8M50	00540	HTD LL-8M70
		Main belt		Rotating belt
00534	ELZT 40	HTD LL-5M25	00532	HTD LL-5M15
00536	ELZT 60	HTD LL-8M30	00534	HTD LL-5M25
00538	ELZT 80(S)	HTD LL-8M50	00536	HTD LL-8M30
00540	ELZT 100	HTD LL-8M70	00538	HTD LL-8M50
00534	ELHZ 60	HTD LL-5M25		
00534	ELHZ 80(S)	HTD LL-5M25		
00538	ELHZ 100	HTD LL-8M50		
00545	ELHZ 125	HTD LL-8M50		

PU-belt with steel reinforcement				
Code No.	Type	Standard belt	Code No.	Widened belt
00534	ELVZ 60	HTD LL-5M25		
00534	ELVZ 80(S)	HTD LL-5M25		
00538	ELVZ 100/125	HTD LL-8M50		
00534	ELZW 60	HTD LL-5M25		
00536	ELZW 80(S)	HTD LL-8M30		
00538	ELZW 100	HTD LL-8M50		
00531	ELZU 30	HTD LL-3M12		
00532	ELZU 40	HTD LL-5M15		
00534	ELZU 60	HTD LL-5M25		
00536	ELZU 80(S)	HTD LL-8M30		
00534	DLZ 120	HTD LL-5M25		
00536	DLZ/DSZ 160	HTD LL-8M30		
00538	DLZ 200	HTD LL-8M50		
		Main belt		Rotating belt
00536	DLZT/DSZT 120	HTD LL-8M30	00534	HTD LL-5M25
00538	DLZT/DSZT 160	HTD LL-8M50	00536	HTD LL-8M30
00540	DLZT/DSZT 200	HTD LL-8M70	00538	HTD LL-8M50
00536	DLSZ/DSSZ 120	HTD LL-8M30		
00538	DLSZ/DSSZ 160	HTD LL-8M50		
00540	DLSZ/DSSZ 200	HTD LL-8M70		
00534	QLZ/QSZ 60	HTD LL-5M25		
00536	QLZ/QSZ 80	HTD LL-8M30		
00538	QLZ/QSZ 100	HTD LL-8M50		
00534	QLSZ/QSSZ 80	HTD LL-5M25		



1.2

Spare parts

Pulley

Toothed pulleys



coupling claw on one side



coupling claws on both sides



shaft on one side



shaft on both sides

Pulley size 30-80 bronzed steel, size 100 hard-coated aluminium. Coupling claws compatible with Rotex GS system.

Size	Code No.		Code No.		Belt	Number of teeth	mm/rev.	Coupling Rotex
	Coupling claw on one side	Coupling claw on both sides	Shaft on one side	Shaft on both sides				
ELZ / ELSZ with standard belt								
30	04010	04020	04828	04829	3M12	25	75	7
40	04011	04021	04830	04831	5M15	20	100	9
60	04012	04022	04832	04833	5M25	26	130	14
80(S)	04013	04023	04834	04835	8M30	24	192	19
100	04014	04024	04836	04837	8M50	32	256	24
125	04015	04025	04838	04839	8M70	38	304	28
ELSZ with widened belt								
30	04011	04021	04830	04831	5M15	20	100	9
40	04012	04022	04832	04833	5M25	26	130	14
60	04013	04023	04834	04835	8M30	24	192	19
80(S)	04014	04024	04836	04837	8M50	32	256	24
100	04015	04025	04838	04839	8M70	38	304	28
ELZG								
30	04820	04821	04840	04841	3M12	40	120	7
40	04822	04823	04842	04843	5M15	32	160	9
60	04824	04825	04844	04845	5M25	44	220	14
80(S)	04826	04827	04846	04847	8M30	40	320	19
ELSD with standard belt								
40	04011	04021	04830	04831	5M15	20	100	9
60	04012	04022	04832	04833	5M25	26	130	14
80(S)	04013	04023	04834	04835	8M30	24	192	19
100	04014	04024	04836	04837	8M50	32	256	24
ELSD with widened belt								
40	04012	04022	04832	04833	5M25	26	130	14
60	04013	04023	04834	04835	8M30	24	192	19
80(S)	04014	04024	04836	04837	8M50	32	256	24
100	04015	04025	04838	04839	8M70	38	304	28
ELZU								
30	04010	04020	04828	04829	3M12	25	75	7
40	04011	04021	04830	04831	5M15	20	100	9
60	04012	04022	04832	04833	5M25	26	130	14
80(S)	04013	04023	04834	04835	8M30	24	192	19



1.2

Spare parts

Pulley

Toothed pulleys

Size	Code No.		Code No.		Belt	Number of teeth	mm/rev.	Coupling Rotex
	Coupling claw on one side	Coupling claw on both sides	Shaft on one side	Shaft on both sides				
ELZT internal belt								
40	04011				5M15	20	100	9
60	04012				5M25	26	130	14
80(S)	04013				8M30	24	192	19
100	04014				8M50	32	256	24
ELZT external belt								
40	04012	04022	04832	04833	5M25	26	130	14
60	04013	04023	04834	04835	8M30	24	192	19
80(S)	04014	04024	04836	04837	8M50	32	256	24
100	04015	04025	04838	04839	8M70	38	304	28
DLZ / DSZ								
DLZ 120	04012	04022	04832	04833	5M25	26	130	14
DLZ / DSZ 160	04852	04853	04848	04849	8M30	22	176	19
DLZ/DSZ 200	04854	04855	04850	04851	8M50	28	224	24
DLZT / DSZT internal belt								
120	04012				5M25	26	130	14
DLZT / DSZT external belt								
120	04013	04023	04834	04835	8M30	24	192	19
QLZ / QSZ								
60	04012	04022	04832	04833	5M25	26	130	14
80	04852	04853	04848	04849	8M30	22	176	19
100	04854	04855	04850	04851	8M50	28	224	24
QLSZ / QSSZ								
80	04852	04853	048	04849	8M30	22	176	19



1.2



two shafts short



one shaft long



two shafts long

Size	Code No.			Belt	Number of teeth	mm/rev.	Coupling Rotex
	Two shafts short	One shaft long	Two shafts long				
ELHZ / ELVZ							
60	04026	04860	04861	5M25	16	80	14
80(S)	04027	04862	04863	5M25	22	110	19
100	04028	04864	04865	8M50	18	114	24
125	04029	04866	04867	8M50	24	192	28

Spare parts

Toothed pulleys



Coupling claw on one side



Shaft on one side

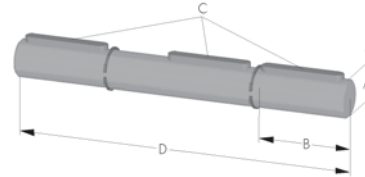
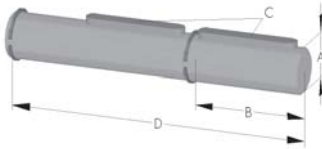


Shafts on both sides

Size	Code No.			Belt	Number of teeth	mm/rev.	Coupling Rotex
	Coupling claw on one side	Shaft on one side	Shaft on both sides				
ELZZ							
60	04856			5M09	26	130	14
80(S)	04857			8M12	24	192	19
100	04858			8M20	32	256	24
125	04859			8M30	38	304	28

Plug-in shaft for pulleys

Plug-in shaft made of stainless steel, complete with key and locking rings for retrofitting.



Shaft on one side							Shaft on both sides						
Code-No.	Type	Size	A _{h7}	B	C	D	Code-No.	Type	Size	A _{h7}	B	C	D
04030	ELZ/ELSZ	30	6	15	2x2x12	57	04040	ELZ/ELSZ	30	6	15	2x2x12	72
04031	ELZ/ELSZ	40	10	27	3x3x25	85	04041	ELZ/ELSZ	40	10	27	3x3x25	112
04032	ELZ/ELSZ QLZ/QSZ	60	14	35	5x5x28	115	04042	ELZ/ELSZ QLZ/QSZ	60	14	35	5x5x28	150
	DLZ/DSZ DLZT/DSZT	120						DLZ/DSZ DLZT/DSZT	120				
04033	ELZ/ELSZ QLZ/QSZ	80	18	45	6x6x40	145	04043	ELZ/ELSZ QLZ/QSZ	80	18	45	6x6x40	190
	DLZ/DSZ	160						DLZ/DSZ	160				
	DLSZ/DSSZ	120						DLSZ/DSSZ	120				
04034	ELZ/ELSZ	100	22	45	6x6x40	175	04044	ELZ/ELSZ	100	22	45	6x6x40	220
	DLSZ	160						DLSZ	160				
04035	ELZ	125	30	45	8x7x40	215	04045	ELZ	125	30	45	8x7x40	270



1.2

Tensioning set for sizes EL 100 - 125, DL 200, QL / QS 100



Code-No.	Type	Tension ring
00472	EL 100 DL/DS 200 QL/QS 100	22 x 32
00479	E 125	30 x 41

Spare parts

Belt adjusters

Belt adjuster ELZ



Code-No.	Type	Material
04060	30	Zinc coated steel
04061	40	Zinc coated steel
04062	60	Zinc coated steel
04063	80(S)	Zinc coated steel
04064	100	Zinc coated steel
04065	125	Zinc coated steel

Belt adjuster ELSZ



Code-No.	Type	Material
04071	30/40	Zinc coated steel
04076	30/40	Nickel faced steel
04072	60	Zinc coated steel
04077	60	Nickel faced steel
04073	80(S)	Zinc coated steel
04078	80(S)	Nickel faced steel
04074	100	Zinc coated steel
04079	100	Nickel faced steel
04075	125	Zinc coated steel
04070	125	Nickel faced steel

Belt adjuster ELHZ



Code-No.	Type	Material
04080	60	Black anodized Al and zinc coated steel
04081	80(S)	Black anodized Al and zinc coated steel
04082	100	Black anodized Al and zinc coated steel
04083	125	Black anodized Al and zinc coated steel

Belt adjuster ELVZ



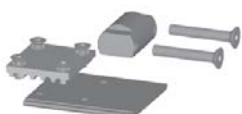
Code-No.	Type	Material
04090	60	Black anodized Al and zinc coated steel
04091	80(S)	Black anodized Al and zinc coated steel
04092	100	Black anodized Al and zinc coated steel
04093	125	Black anodized Al and zinc coated steel

Belt adjuster

**DLZ
DSZ**



**DLSZ
DSSZ**



**QLZ
QSZ**



Code-No.	Type	Material
04084	DLZ 120	Nature anodized Al and zinc coated steel
04086	DLZ/DSZ 160	Nature anodized Al and zinc coated steel
04085	DLZ/DSZ 200	Nature anodized Al and zinc coated steel
04066	DLSZ 120	Zinc coated steel
04067	DLSZ/DSSZ 160	Zinc coated steel
04087	QLZ/QSZ 60	Nature anodized Al
04088	QLZ/QSZ 80	Nature anodized Al
04089	QLZ/QSZ 100	Nature anodized Al